

PALFINGER ROLL-OFF CABLE HOISTS

Optimized design with the widest range of capacities.

LIFETIME EXCELLENCE





STRENGTH & DURABILITY

With a wide range of container handling solutions, Palfinger American Roll-off is your onestop shop for Cable Roll-off Hoists, Hooklifts and Container Carriers. Holding various patents in both Hooklift and Cable Roll-off lines, we are dedicated to innovation and developing the safest, most reliable and advanced products with excellent performance on the job. Whether you need to load or dump materials, transport containers or change bodies, we understand your needs in various industries: waste, recycling, scrap, demolition, landscaping, construction, municipalities and more!

Investing in a strong brand means that you can rely on strong equipment for the lifetime of the product - you can expect a solution with less weight, an excellent design and a long product life when you choose PALFINGER.

At PALFINGER, we recognize the high value of after the sale service and support. That's why we have dedicated distribution partners conveniently located across North America. Our ever-expanding distribution network is always there for you to serve your product requirements.

With 30 plus years of experience, our cable hoists are designed for innovation, reliability and efficiency to benefit you on the job!



WARRANTY*

- 3 years structural
- 2 years cylinder
- 1 year hydraulic components
- 1 year workmanship labor

*See full warranty coverage

TO LOCATE A DISTRIBUTOR NEAR YOU
VISIT WWW.PALFINGER.COM

FIRST CLASS IN DESIGN & PERFORMANCE

Each day brings new challenges.

However varied and diverse your daily applications may be - whether wood, concrete or steel - they all have one thing in common: **A STRONG PARTNER.**

Your obstacles out in the field matter and that's why we put so much passion into our equipment - to make you more successful. Our machines are more than just technology... they are the result of your experiences and our innovations – worldwide. Our products are solutions that we develop *with you.*

THE AMERICAN ROLL-OFF - ARH HEAVY DUTY SERIES

Handle the heaviest of loads with our Heavy Duty Cable Roll-off Hoists. Extremely versatile, all of our Heavy Duty models can handle up to 75,000 lbs. – making them the perfect fit for your heavyweight jobs in tough industries like scrap and other heavy duty sectors. Proudly made in Trenton, New Jersey; the American Roll-off Cable Hoist is the choice of customers nationwide!



ET – Extendable Tail
IO – Inside / Outside
XD – Extreme Duty

ART - TOP MOUNT SERIES

Designed for a long life with minimal maintenance, our patented Top Mount Cable Roll-off Hoists are unique to the market. The innovative top mount design is suitable for single and multiple axle chassis, making these hoists perfect for mounting on top of any chassis configuration, including CNG tanks. In addition, our top mount design also offers the most diverse capacity range, from 12,000 - 75,000 lbs.

MODEL	CAPACITY (LB.)	CONTAINER LENGTH (FT.)	DUMP ANGLE	MIN C/T (IN.)	HOIST LENGTH (IN.)	GVWR F/R (LB.)
ARH 75-22	75000	12-22 ft.	48	176	289	18,000/46,000
ARH 75-22 IO	75000	12-22 ft.	48	176	289	18,000/46,000
ARH 75-22 XD	75000	12-22 ft.	48	176	289	18,000/46,000
ARH 75-24	75000	12-24 ft.	48	194	307	18,000/46,000
ARH 75-24 IO	75000	12-24 ft.	48	194	307	18,000/46,000
ARH 75-24 XD	75000	12-24 ft.	48	194	307	18,000/46,000

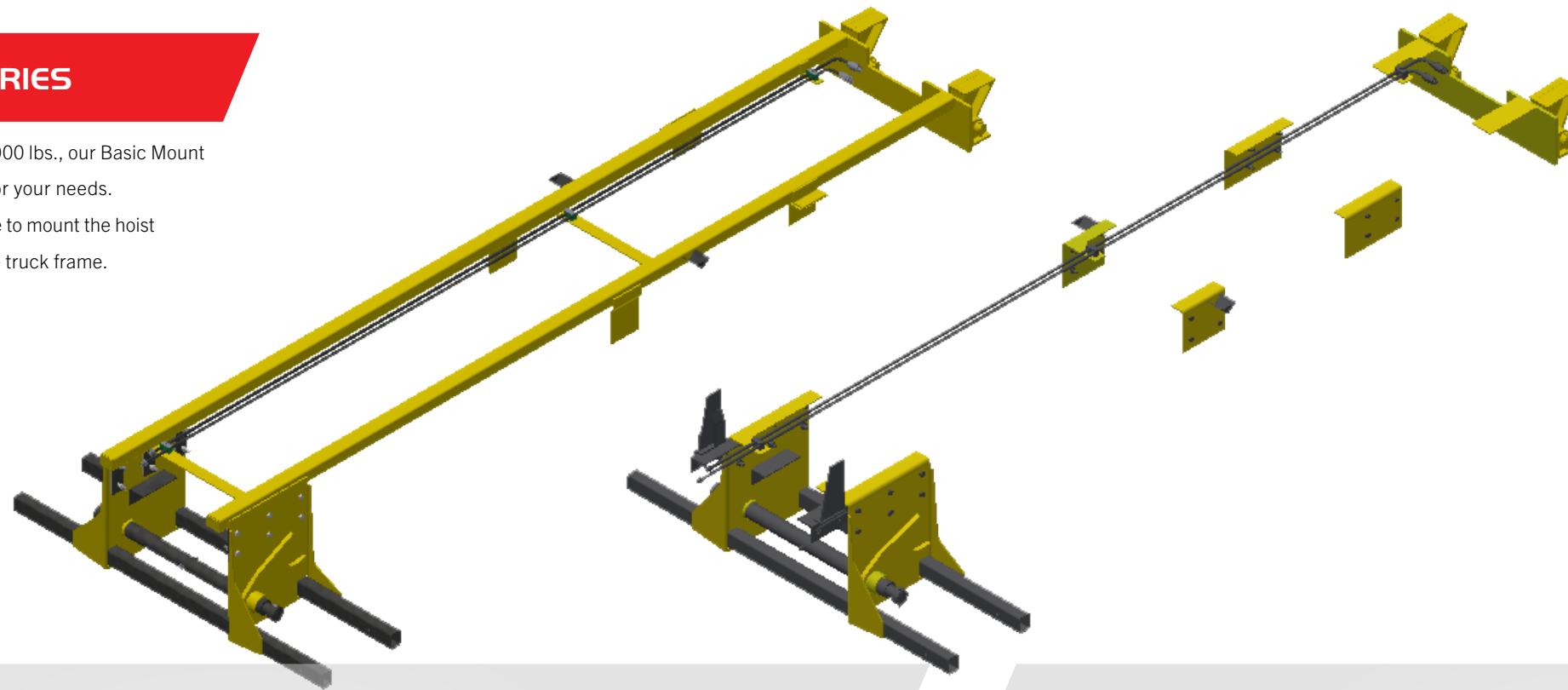
MODEL	CAPACITY (LB.)	CONTAINER LENGTH (FT.)	DUMP ANGLE	MIN C/A (IN.)	MIN C/T (IN.)	HOIST LENGTH (IN.)	GVWR F/R (LB.)
ART 12-12	12000	10-12 ft.	53	84	-	188	7,000/12,500
ART 12-14	12000	12-14 ft.	48	108	-	217	7,000/12,500
ART 20-16	20000	12-16 ft.	56	120	-	212	7,000/12,500
ART 20-18	20000	12-18 ft.	52	140	-	236	7,000/12,500
ART 30-16	30000	12-16 ft.	56	125	-	222	12,000/21,000
ART 30-16 ET	30000	12-16 ft.	56	125	-	196-222	12,000/21,000
ART 30-22	30000	12-22 ft.	48	176	-	289	12,000/21,000
ART 30-22 ET	30000	12-22 ft.	48	176	-	260-320	12,000/21,000
ART 40-16	40000	12-16 ft.	56	164	118	222	12,000/40,000
ART 40-16 ET	40000	12-16 ft.	56	164	118	196-222	12,000/40,000
ART 40-22	40000	12-22 ft.	48	-	176	289	12,000/40,000
ART 40-22 ET	40000	12-22 ft.	48	-	176	260-320	12,000/40,000
ART 60-22	60000	12-22 ft.	49	-	176	289	18,000/46,000
ART 60-22 ET	60000	12-22 ft.	49	-	176	260-320	18,000/46,000
ART 75-22	75000	12-22 ft.	48	-	176	289	18,000/46,000
ART 75-22 ET	75000	12-22 ft.	48	-	176	260-320	18,000/46,000
ART 75-22 IO	75000	12-22 ft.	48	-	176	289	18,000/46,000
ART 75-24	75000	12-24 ft.	48	-	194	307	18,000/46,000
ART 75-24 ET	75000	12-24 ft.	48	-	194	287-367	18,000/46,000
ART 75-24 IO	75000	12-24 ft.	48	-	194	307	18,000/46,000



ARB - BASIC MOUNT SERIES

Offering capacity ranges of 60,000 and 75,000 lbs., our Basic Mount Cable Roll-off Hoists are strong solutions for your needs.

The Basic Mount offers a standard sub frame to mount the hoist to your chassis, adding great strength to the truck frame.



ARD - DIRECT MOUNT SERIES

A lighter weight, but equally strong alternative to our Basic Mount Series, the PALFINGER Direct Mount Cable Roll-off Hoists have the same features and benefits as our Basic Mount Series, but by eliminating the subframe the hoist rests on the truck frame.

Offering capacity ranges of 60,000 and 75,000 lbs., our Direct Mount Series are strong solutions for your needs.

MODEL	CAPACITY (LB.)	CONTAINER LENGTH (FT.)	DUMP ANGLE	MIN C/T (IN.)	HOIST LENGTH (IN.)	GVWR F/R (LB.)
ARB 60-22	60000	12-22 ft.	48	176	289	18,000/46,000
ARB 75-22	75000	12-22 ft.	48	176	289	18,000/46,000
ARB 75-22 ET	75000	12-22 ft.	48	176	260-320	18,000/46,000
ARB 75-24	75000	12-24 ft.	48	194	307	18,000/46,000

MODEL	CAPACITY (LB.)	CONTAINER LENGTH (FT.)	DUMP ANGLE	MIN C/T (IN.)	HOIST LENGTH (IN.)	GVWR F/R (LB.)
ARD 60-22	60000	12-22 ft.	48	176	289	18,000/46,000
ARD 75-22	60000	12-22 ft.	48	176	289	18,000/46,000
ARD 75-22 ET	60000	12-22 ft.	48	176	260-320	18,000/46,000
ARD 75-24 IO	75000	12-24 ft.	48	194	307	18,000/46,000
ARD 75-24 IO	75000	12-24 ft.	48	194	307	18,000/46,000

CABLE HOISTS

PRODUCT FEATURES

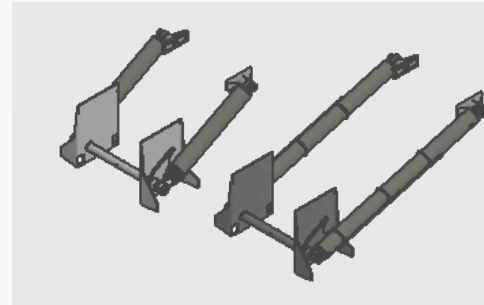
The roots of Palfinger American Roll-off began with Cable Roll-off Hoists – designed and manufactured in the USA since our establishment over 45 years ago.

This experience has built our reputation for strong hoists with superior longevity, while all of our Cable Roll-off Hoist models feature Dual Front Locks for added safety. Our innovative designs, including the patented Top-Mount design, offers the widest range of capacities from 12,000 to 75,000 lbs.



AWS D1.1 CERTIFIED WELDING

There is a lot of welding on a cable hoist, but not all welding is created equal! Trust in our AWS D1.1 standard certified quality welding.



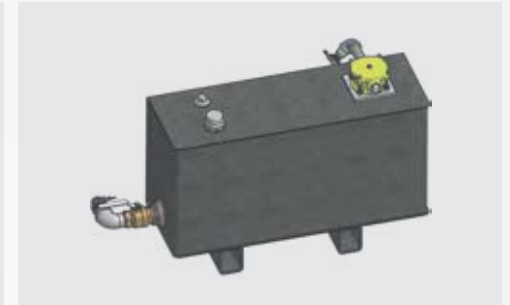
LIFTING CYLINDERS

- Telescopic lifting cylinders
- Single stage lifting cylinders



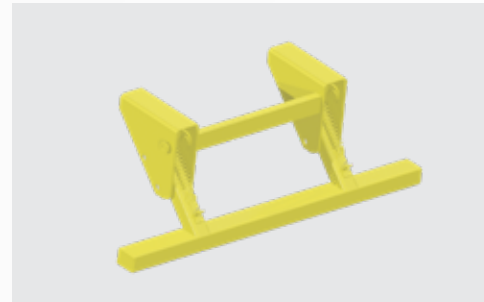
CASTED LIFT CYLINDER BASKETS

- Dependable and long lasting material
- Strong and durable throughout product lifetime



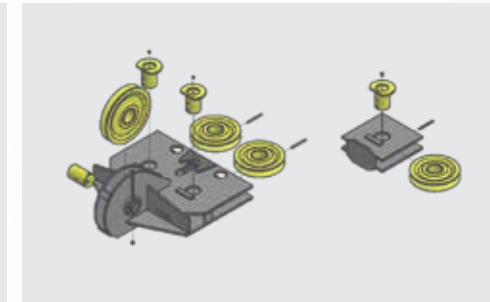
INTEGRATED HYDRAULIC RETURN FILTER

- Internal hydraulic return filter reduces chances of damage
- Easy maintenance



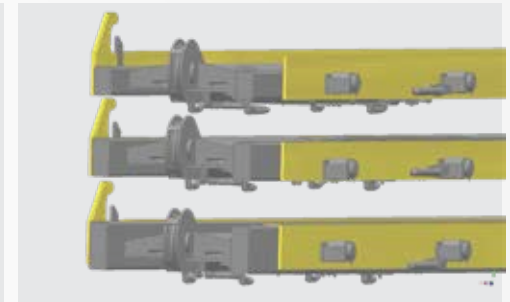
PATENTED FOLDING ICC BUMPER

- Our patented ICC bumper automatically folds when the hoist is raised without the added complexity of another air valve or active mechanical pivots.



REMOVEABLE SHEAVES & PINS

- Improved maintenance and serviceability
- Large diameter pins help to reduce wear in heavy lifting conditions



FRAME OPTIONS

- Inside / Outside Rail
- Outside Rail Only
- Outside Rail Only – Extreme Duty



FIXED CABLE LENGTH

Top Mount Cable Roll-off Hoists are equipped with a Fixed Length Cable, where there is no need to adjust the cable. This makes for better serviceability and ease of replacement.



HEAVY DUTY SIDE & REAR ROLLERS

- 50% larger side rollers; taller and wider
- Improved maintenance and serviceability
- Large diameter pins help to reduce wear in heavy lifting conditions
- Solid three section rear roller

HEAVILY REINFORCED RAILS

Ever bend a hoist? It wasn't one of these.

CABLE HOISTS. 01/19

PALFINGER American Roll-Off

572 Whitehead Rd. | Trenton | NJ 08619
PO Box 5757 | Trenton | NJ 08638

T + 1 800 851 8938
F + 1 609 588 4104

Products shown in the leaflet are partially equipped with optional features and do not always correspond to the standard version.
Country-specific regulations must be observed.
Dimensions may vary. Subject to product changes and improvements.